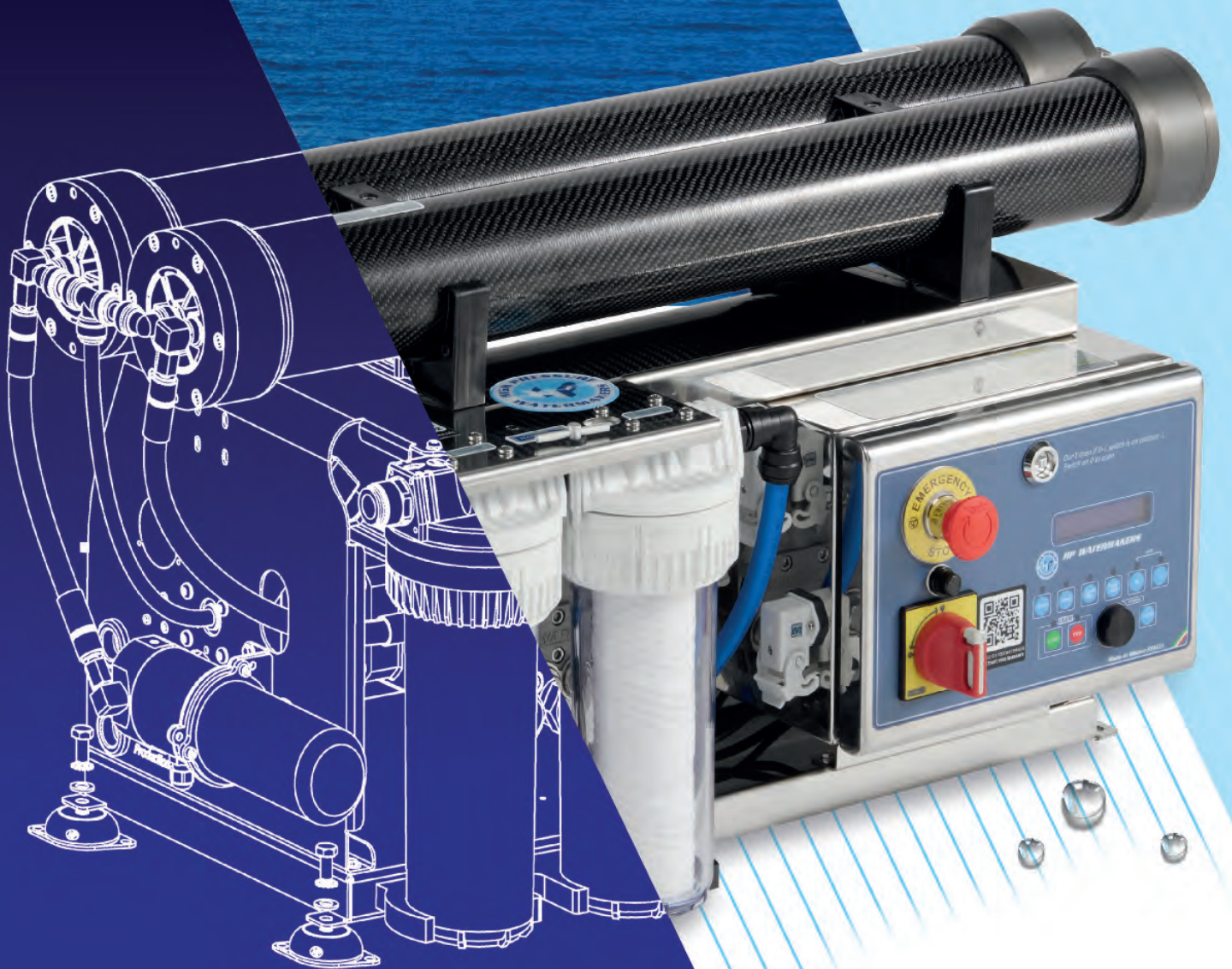


GENERAL CATALOGUE

We design
technology
for sustainability.



MILANO

FORT LAUDERDALE | DUBAI | CAPE TOWN | MALE





Always 100% Made in MILANO, cutting-edge watermakers for the sustainability of the WORLD.

Since our establishment in 1995, at **HP HIGH PRESSURE** we had a clear mission: to produce a wide range of high-quality manual, semi-automatic, and fully automatic watermakers. Our vision is to live in a **plastic-free** world. With our technology you can enjoy room temperature, or cold mineral still or sparkling water, directly from the sea.



Our continuous goal is focused on meticulous attention to detail, achieved by producing 80% of the components of our watermakers in-house. This approach allows us to have complete control over every aspect of the product, enabling us to meet your specific requirements. Each system is meticulously assembled and thoroughly tested to comply to the quality standards of ISO 9001:2015.

For almost 30 years, our company has been distinguishing itself in the reverse osmosis watermakers market by introducing effective and unique patented automation systems and advanced technical solutions. Thanks to these innovations, we are capable of creating watermakers that are both unique and fully automatic, unlike any other company can offer you.



Our company is situated on an area of 3100 m² in Zibido San Giacomo, south of Milan. We produce systems ranging from 5 to 3,000 lt/h, in various voltage options and suitable for a wide range of applications.

HP WATERMAKERS FOR DISTRIBUTORS.

Within **HP HIGH PRESSURE**, our goal is to continually expand our sales and support network worldwide. Our distributors have the guarantee of being covered in their territory of competence. Once a distribution agreement is formalized, the sale and servicing of products and spare parts become simple and fluid. To ensure a strong partnership with our collaborators, distribution agreements are followed by ongoing training through regular product update courses.

A HISTORY OF QUALITY TO MEET YOUR NEEDS.

1997 - First watermaker with automatic membrane cleaning (**HP VAL**).

2002 - First watermaker with automatic pressure regulation (**RP TRONIC®**).

Since then, purchasers of an RP TRONIC® system have a **3-year warranty** on the entire system.

2004 - First watermaker with automatic winterization (**AMCS**).

2008 - First watermaker equipped with **31540** membranes (standard HP), which replace the standard ones, reducing both production and sales costs.

2018 - First remote-controlled watermaker (**BiBi®**). Installation comes with a 4-year warranty on the system and premium priority service.

2019 - First watermaker integrated with onboard Plotter systems (**Raymarine - Garmin**).

2020 - Launch of **Part-NET Interface** - The **first and only** watermaker integrated with **Raymarine, Garmin, Furuno e Navico**.

2021 - Launch of **HP SCA** - The first watermaker with **31530** membranes.

2022 - Launch of **HP MWT** - Shore water treatment system.

2023 - Launch of **Sea 0 Spot** - Shore water treatment system integrated into the watermaker.

Launch of **SCA100 KILO** - A 100 lt/h watermaker with a power consumption of 1 kW/h.



HP WATERMAKERS FOR SHIPYARDS.

By producing 80% of the mechanical, hydraulic, and electrical components of the products we assemble in-house, we, at HP HIGH PRESSURE SRL, can provide you with a tailor-made service to meet all your needs. From project design to the realization of the finished product. We sell and provide support directly or through our service network, offering you the following benefits:

- 2D and 3D drawings, as well as custom design and production if required.
- Timely supply of systems as per scheduled orders and maintenance of a dedicated stock to handle unforeseen supply emergencies.
- Implementation of a barcode-based system for equipment and spare parts recognition to optimize warehouse management.
- Dedicated internal HP technician for supplies and support matters.
- Free technical training courses for construction technicians and captains.
- Worldwide service network.
- Standard intervention within 48 hours.
- 3-year warranty on fully auto RP TRONIC® systems.
- 4-year warranty on systems equipped with BiBi® remote control.

HP WATERMAKERS FOR END USERS.

Thanks to our extensive sales and service network, we can ensure prompt and professional service delivered by specialized technicians. Whether you're a ship captain or owner, you'll receive convenient on-board assistance from dedicated and well-prepared professionals.



Water Package Pag 6

Watermaker models Pag 8

Advantages of RP TRONIC® system Pag 9

Part-NET interface Pag 10

HP BiBi® Pag 13

WATER LOADING Pag 14

HP MWT BASIC Pag 16

HP MWT Pag 17

HP DEMI5® Pag 18

HP DEMI DOUBLE Pag 19

DESALINATION Pag 20

HP SCE Pag 22

HP SCA Pag 24

HP KIT ECO Pag 26

HP SC KIT Pag 27

HP SC Pag 28

HP V Pag 30

HP SC DOUBLE Pag 32

SAND FILTRATION Pag 34

WATER DISTRIBUTION Pag 36

HP GENIUS Pag 38

Ice maker and tap filters
HP Ag & MINERAL Pag 39

HP UV Pag 40

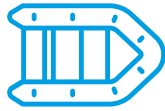
HP SILVER ION Pag 41

Spare parts Pag 42

Codes de redirection rapide Pag 46

Warranties Pag 47

Ribs



Oil Rigs



Sailing Yachts



Resorts



Motor Yachts 30 - 55 ft



Residential



Motor Yachts over 55 ft



Swimming Pools



Military Boats



Motor Homes



Ships



WATER LOADING

Softeners



DEMI5®



DEMI DOUBLE

Reverse Osmosis



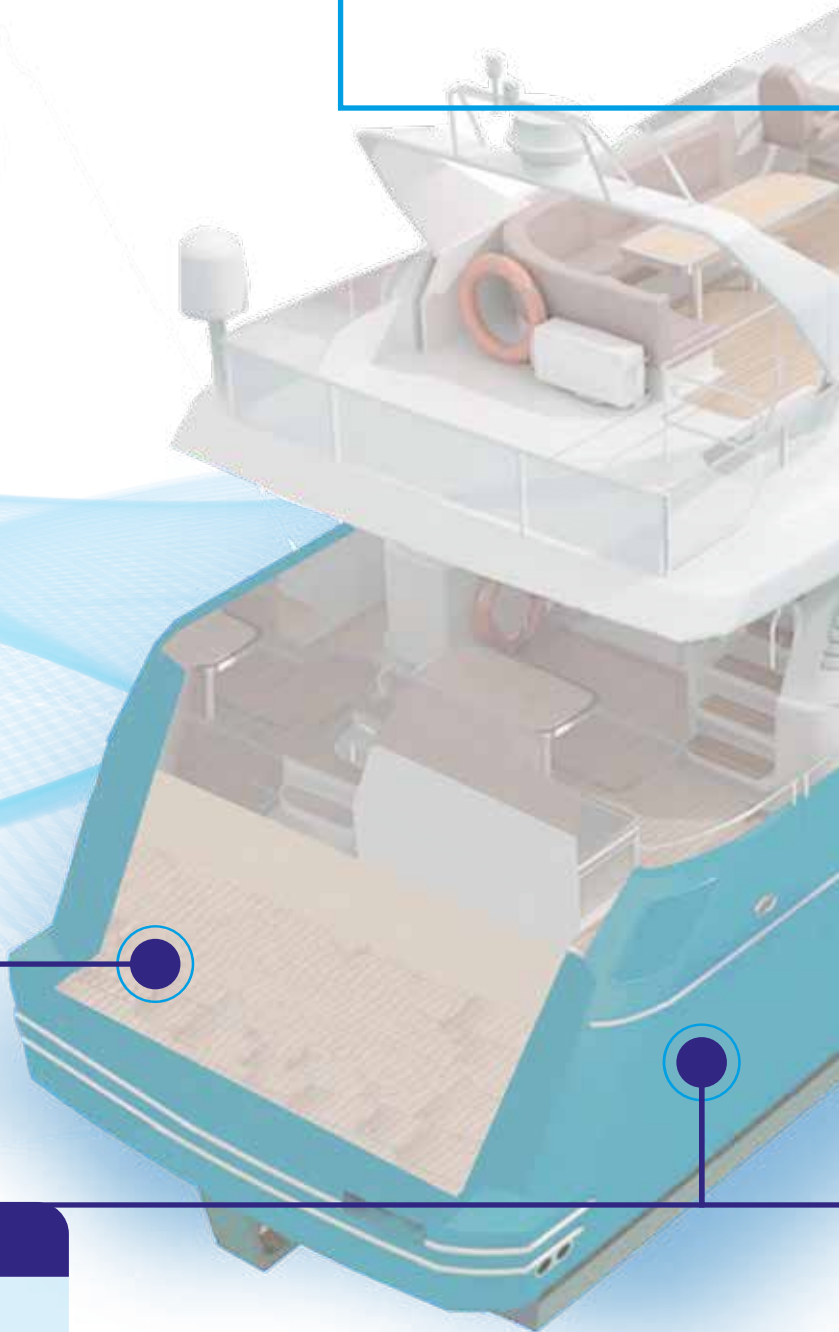
HP MWT



MWT BASIC
MWT AUTO



Interface system with all the navigation plotters



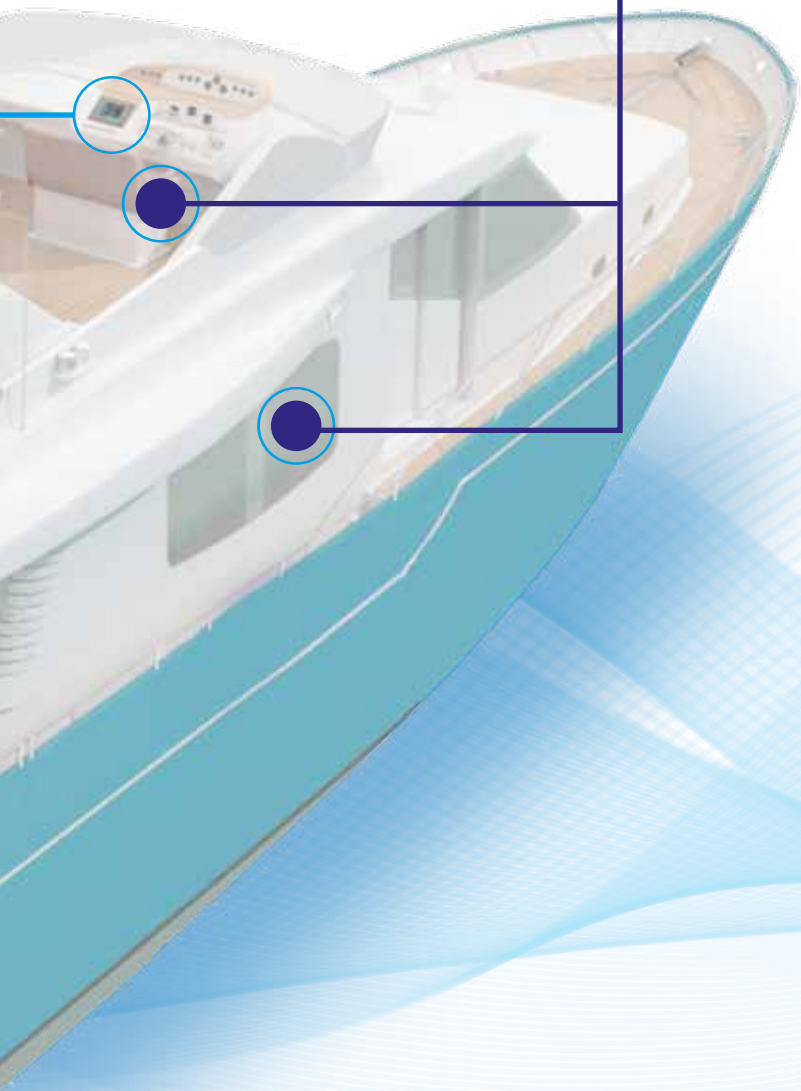
DESALINATION 35-50 ft



HP SCE



HP SCA KILO



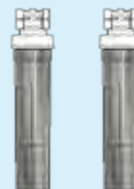
WATER DISTRIBUTION

Dispenser



HP Genius

Ice maker and tap filters



Ag & Mineral Filters

HP UV SH Sterilizers



SH2500 - SH5000
SH8000 - SH13000
SH18000

Ag Sterilizers



HP Silver Ion

DESALINATION 50 ft +



HP SCA



HP SC



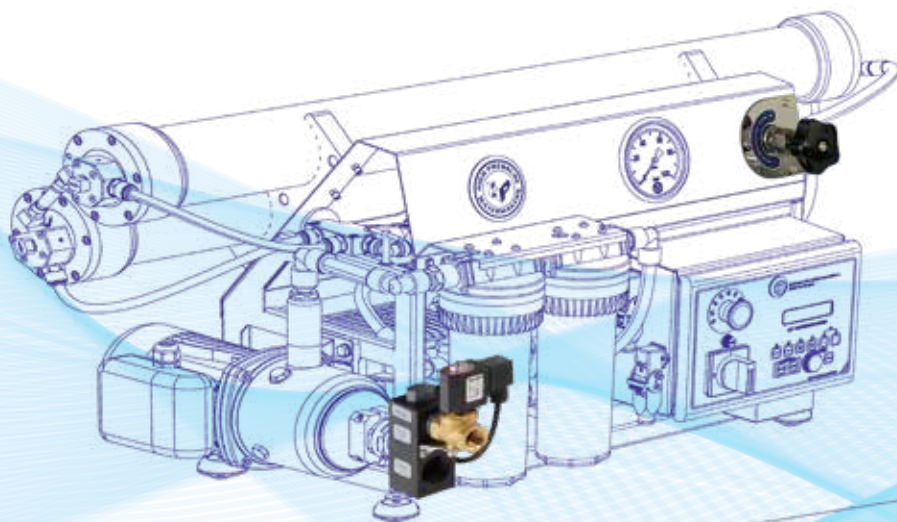
HP SCV



HP SCD



WATERMAKER MODELS

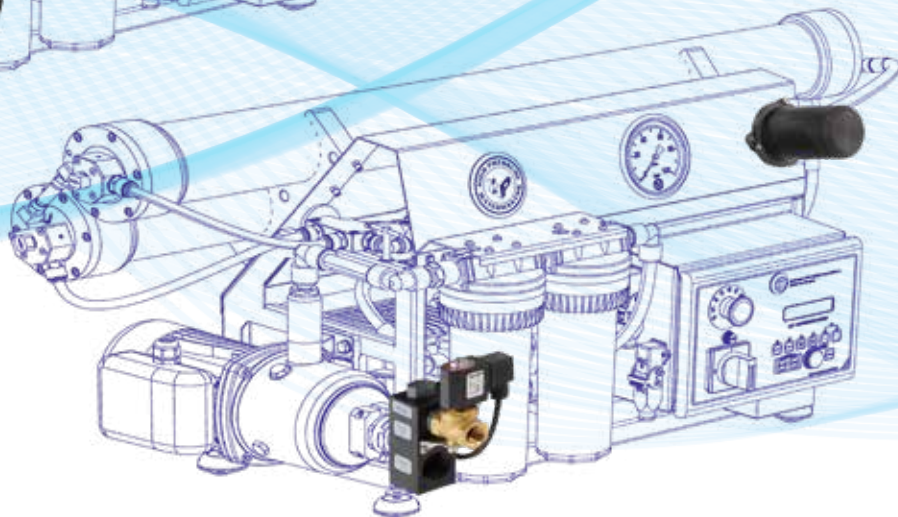


SC5 Semi-automatic

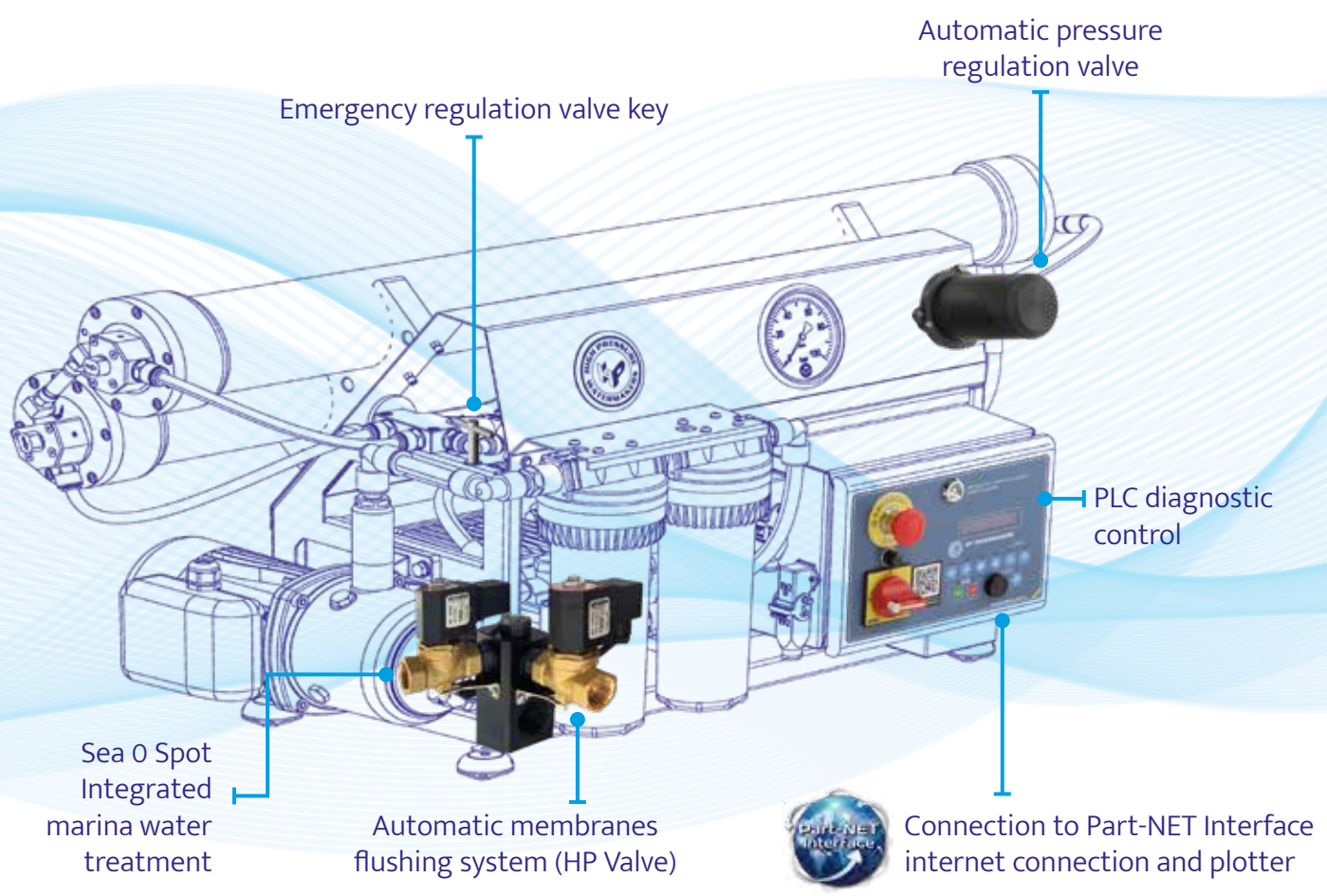
HAND OPERATED pressure regulation valve.

RP TRONIC® Full automatic

AUTOMATIC pressure regulation valve.



SEMI AUTOMATIC - RP TRONIC® COMPONENTS	SC5	RP TRONIC
No corrosion Carbon-Fiberglass pressure vessel	✓	✓
Automatic non conforming water deviation system	✓	✓
Emergency gauge	✓	✓
Hand operated pressure regulation valve	✓	√ (In emergency)
Automatic pressure regulation valve (RP TRONIC®)	✗	✓
Min/Max pressure sensor	✓	✓
Regulation Valve emergency key	✗	✓
Hand operated non conforming water deviation (emergency mode)	✓	✓
Hand operated pressure regulation	✓	√ (In emergency)
Automatic Membranes Flushing	✓	✓
AISI316 Booster low pressure pump	✓	✓
High pressure pump in AISI 316 (all models)	✓	✓
Superduplex High pressure pump (SCA-SC5-SC5330-440-500 / SCD660-1200)	✓	✓
5 µ filter	✓	✓
USB port interface control PLC	✓	✓
Plug and Play connection system	✓	✓
Alarm monitoring and counter	✓	✓
Voltage monitoring and counter	✓	✓
Lockable electric door	✓	✓
Emergency button	✓	✓
Removable electrical board	✓	✓
Part-NET Interface	✗	✓
AMCS	✗	✓
Sea 0 Spot	✗	✓



Standard features

- Automatic pressure regulation - Self adjustment while working at any temperature and salinity
- Remote control and pressure regulation from the cockpit
- Hand operated pressure regulation (emergency mode)
- Membranes' automatic flushing system
- Automatic membranes conservation system (AMCS) - Optional
- Automatic non conforming water deviation system when the produced water exceeds the limits
- Emergency function system
- Hand operated non conforming water deviation (emergency mode)
- Alarm counter diagnostic system
- Volts and Ampere counter and diagnostic system
- Integrated hour counter
- Total production (lt/h and gal/h) counter
- Functioning logic parameters with full integrated diagnostic
- USB port with Upload and Download of program and operating data
- BiBi® interface (internet connection) - Part-NET interface compatible with navigation systems (**Garmin, Raymarine, Furuno and Navico**)

• Display:	Bar / Psi (pressure)	µS / ppm (conductivity)
	°C / °F (temperature)	Lt/h / gal/h (flow)
	Wh (working hours)	V (Voltage)



HP SCA 220



CHOOSE HP

From the app list



CONTROL

All functions of the watermaker

Compatible plotters:

Raymarine

AXIOM SERIES

GARMIN

8400 - 8600 ONE HELM

FURUNO

NAVNET ZTTOUCH2 AND 3

What is Part-NET?

HP Part-Net is the first and only user friendly interface in the world for watermakers, easy to install and ready to communicate with all the plotters on the market, **Garmin, Raymarine, Furuno, Simrad, B&G and Lowrance**. HP Part-NET interface is designed for the control of fully automatic HP RP TRONIC® Watermakers. The goal of HP Watermakers, thanks HP Part-NET, is to bring the watermaker into the hands of the users (**owners, captains**), involving them in the choice of machineries and accessories. In this way they can access the HP Watermakers app directly from the plotters of any brand on the market, and while they cruising, they can use the watermaker, start it, stop it, control it, access all the functions without taking their eyes off the navigation. A manual including video tutorials is pre-installed in the software in 5 different languages (English, Italian, French, German, Spanish).



CUSTOMIZE

The main screen



CONSULT

The interactive plotter manual with video tutorials

SIMRAD

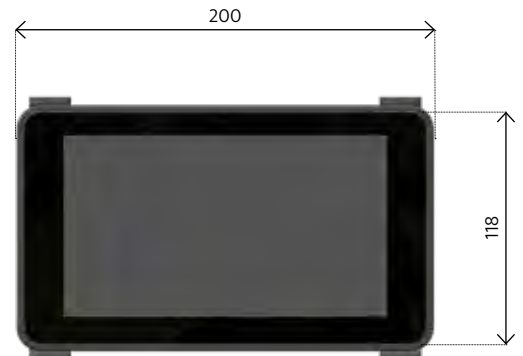
GO 7/9/12 - NSS EVO3 7/9/12/16
NSO EVO3 16/19/24 - IDS KOMODO 9/12

B&G

ZEUS3 7/9/12/16 ZEUS3
GLASSHELM 16/19/24

LOWRANCE

HDS LIVE 9/12/16
HDS CARBON 9/12/16





HP SCA 220



MOD BUS CABLE

With HP Part-NET the user can start, stop, reset, control the settings, control the alarms and access the interactive manual of the watermaker, directly on the NEW 7" TOUCH SCREEN REMOTE CONTROL PANEL and on the plotters.

- HP **Part-NET** 7" touch screen is a hub, which exchanges the BUS signals from the watermaker's PLC and transforms it into protocols, sent to its own screen, to the navigation plotters and to the Internet. Part-NET is equipped with one RJ45 port, which is directly connected to the plotter hubs or/ and to the internet switch.
- The communication through this port is direct, so once ethernet cable is connected to the plotters, automatically the watermaker hardware is detected and all the pages, which are displayed by the browser on the touch screen remote control, and will be visualized also on the plotters' screens. On some models like Raymarine Axiom, HP Watermaker logo is shown in the app page by default, even if the hardware is not connected. On all the others the logo is shown only if the hardware is connected to the plotter.
- Once the hardware is connected, the user can control all the functions of HP Watermakers **RP TRONIC®** series, directly from the chart plotters by browsing the different available pages.
- If a internet connection is available on board, **Part-NET** will be able to send the same pages on the internet, where the machine will be controlled by its dedicated cloud portal for the **BiBi®** telecontrol system.

Compatible plotters:

Raymarine

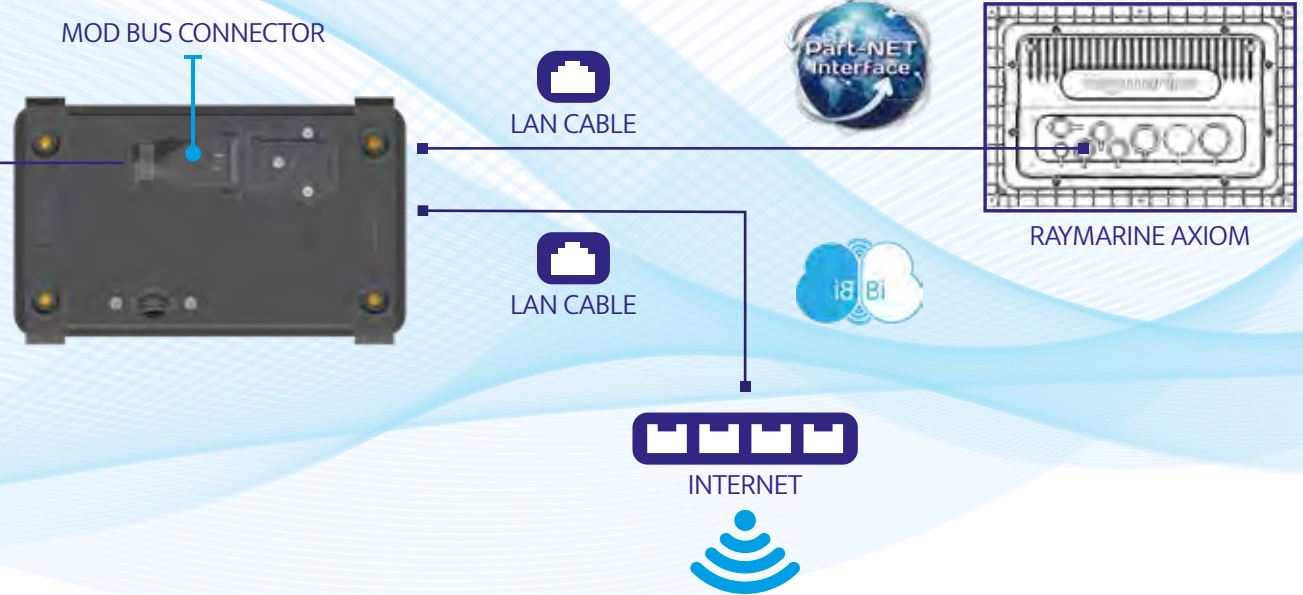
GARMIN

FURUNO

SIMRAD

B&G

LOWRANCE



- **BiBi®** is the first and only internet user interface for full automatic watermakers.
- **BiBi®** can be installed as an optional on new units or after-sales and it is compatible with iOS and Android operating systems. Thanks to this device, the technical assistance is implemented on the watermaker, remotely, notifying in advance any malfunction, by communicating directly with the user, notifying the HP Watermakers technical office in real time.
- **BiBi®** also communicates in real time with the HP operations center to assist the user in an alarm or emergency situation and sends an error report directly to an authorized HP service closest to the user.
- **BiBi®** adds a one year warranty to the watermaker and a priority fast lane service **(eg HPSC140 RPTRONIC® BiBi® 3 years + 1 year = total 4 years warranty)**.
- **BiBi®** is connected to a MODBUS protocol on the watermaker. This card is bi-directionally connected to the internet and able to receive and send commands. The system works through a cloud application, where users can log in with a dedicated password. Authorized users will have access to watermaker control and full diagnostics. It will therefore be possible to turn the watermaker ON or OFF, reset the alarms, monitor the operation of the machine and monitor all the data of the watermaker via any internet connected device. Users and the service network will **ALWAYS have control of the watermaker at hand**.





WATER LOADING



Products



MWT BASIC
MWT AUTO



HP MWT

HP MWT is the brand new marina water treatment system of HP Watermakers, using reverse osmosis membranes, that brings TDS and total hardness to very low levels, protecting all systems that use fresh water from limescale, and allowing a '**no-spots effects**' on all the surfaces.



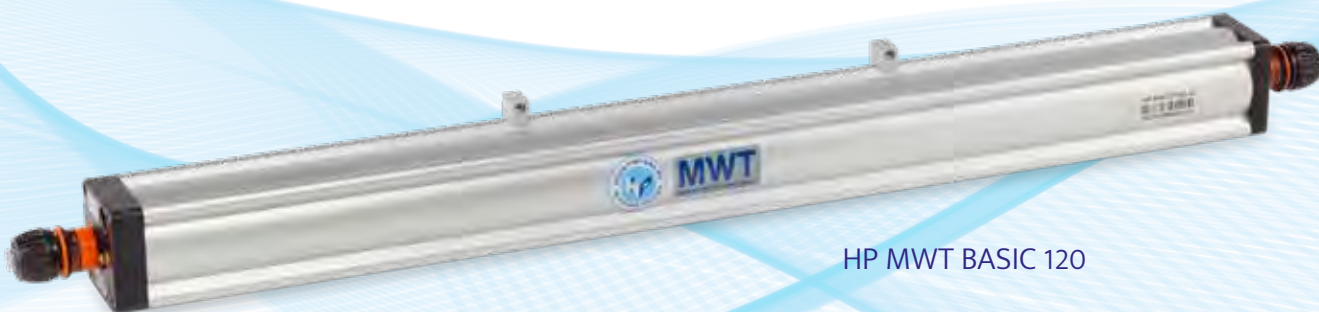
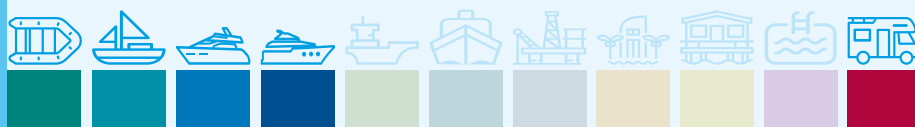
DEMI5®

HP DEMI5®, since 2008 is the best seller of portable water softeners, is the best product to wash the boats, fill the tanks and to protect all the devices, which use fresh water, from limescales and corrosion. **It works without electricity.**

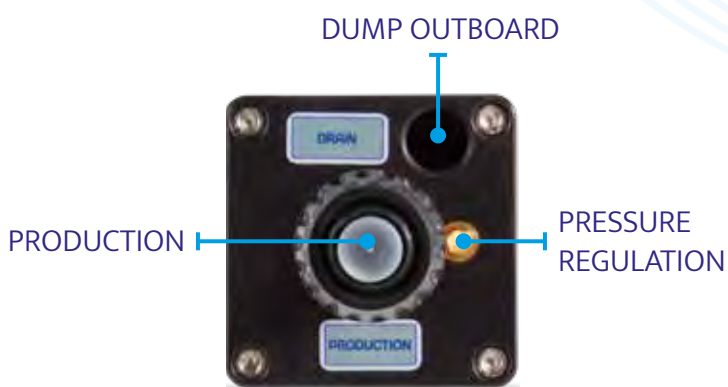


DEMI DOUBLE

HP DEMI DOUBLE combines the power of two water softeners in a single system, ideal for medium and large boats. It is also **equipped with a volumetric automatic resin regeneration system.** **It works without electricity.**



HP MWT BASIC 120



	MAX PRESSURE	MINIMUM PRESSURE	MAXIMUM TEMPERATURE	TOTAL WEIGHT	DIMENSIONS			PRICE VAT EXCLUDED
	bar	bar	°C	Kg	W mm	H mm	D mm	€
HP MWT BASIC 60	8	2.5	45	6	61	90	90	1.650
HP MWT BASIC 120	8	2.5	45	11.5	112	90	90	1.850

Manuale

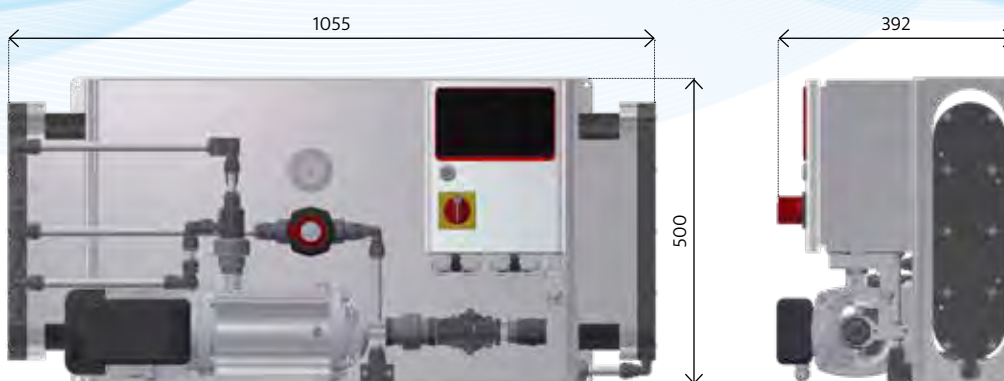
OPTIONAL ACCESSORIES		PRICE VAT EXCLUDED
AUTO VERSION - AUTOMATIC TANK FILLING		€ 1.150
Tank float switch contact automatic controlled solenoid opening and closing system. Note: the float switch must a pulse contact type. The float switch is not supplied.		



HP MWT BASIC is the brand new marina water treatment system, using reverse osmosis membranes, that bring TDS and total hardness to very low levels, protecting all systems, that use fresh water, from limescale, and allowing a **NO-SPOTS EFFECTS** on all the surfaces. **MWT BASIC** systems are designed to supply fresh water avoiding the use of pumps and electricity. The system is portable or can be installed on board. The floating switch installed in the fresh water tanks allows to the **AUTO VERSION** to fill automatically the tank, without operating manually on any valve.



HP MWT



	MAX PRESSURE	MINIMUM PRESSURE	MAXIMUM TEMPERATURE	TOTAL WEIGHT	DIMENSIONS			PRICE VAT EXCLUDED
	bar	bar	°C	Kg	W mm	H mm	D mm	€
HP MWT	5	2	45	40	1055	500	392	15.900
SPARE PARTS								€
Pre-filter KIT CA10"								130
HP CA10" activated carbon cartridge								30



HP MWT is the brand new marina water treatment, system using reverse osmosis membranes, that bring TDS and total hardness to very low levels, protecting all systems, that use fresh water, from limescale, allowing a no-spots effects on all the surfaces. **HP MWT** systems are designed to provide water with very low TDS and hardness to safeguard the systems, saving on maintenance of boilers, pipes, pumps, toilets, washing machines, dishwashers etc.

HP MWT is equipped with Part-NET Interface by default.



HP DEMI5®

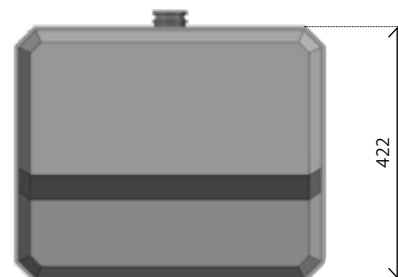
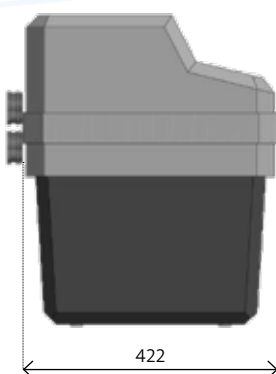
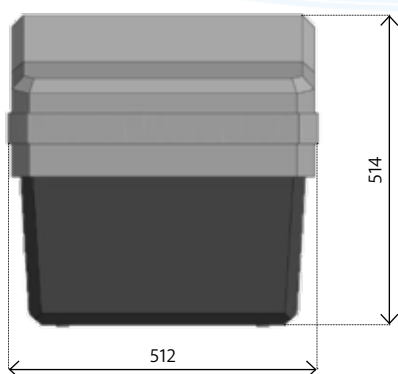
	MAX PRESSURE	MINIMUM PRESSURE	MAXIMUM TEMPERATURE	TOTAL WEIGHT	DIMENSIONS			PRICE VAT EXCLUDED
	bar	bar	°C	Kg	W mm	H mm	D mm	€
HP DEMI5®	6	2	50	15	452	472	276	1.100
SPARE PARTS								€
HP DEMI CA								30
HP DEMI SA								14
Kit Easy Test 5 pc								7
Kit Easy Test 10 pc								12
HPSALE12PACK - Salt box 12 packs 850 gr.								47
Salt bag 25 Kg								35
HPDEMIKITPRO (1x Kit Easy Test 10pz. - 1x Salt Box (850gr.) - 2x HP DEMI CA)								130
HPDEMI5-CR- Resins replace kit								175



DEMI5® is the portable system, which integrates a softener with a manual control valve, to easily operate softening, rinse and regeneration stages. HPDEMISA, is a reusable brine cartridge for the easiest resin regeneration, HPDEMICA a carbon block pre-filter, makes **DEMI5®** able to perform filtration at 5 micron, for crystal clear water, dechlorination, getting rid of bad tastes and odours, pesticides, insecticides, Volatile Organic Compounds (VOC). **DEMI5®** is designed for softening and for a complete removal of the Total Hardness and prevention from scales and calcareous encrustations. **DEMI5®** can be used for the cleaning of all the surfaces with an extraordinary **NO SPOTS** effect. After having used the softeners the surface drying is not necessary. These systems protect from impurities, corrosion, and limestone deposits, all the pipes, pumps, boilers, showers, faucets and ice makers.



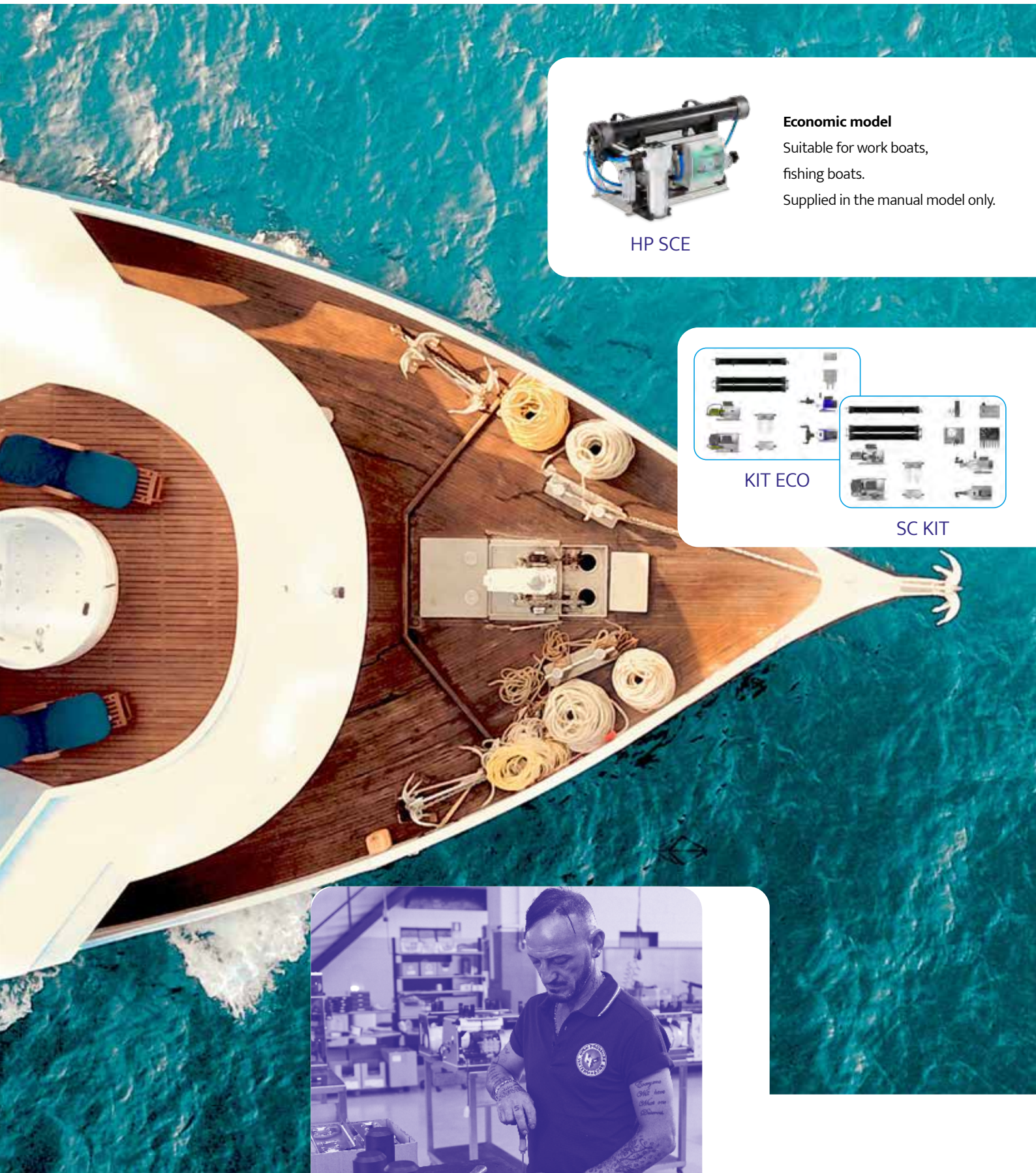
HP DEMI DOUBLE



HP DEMI DOUBLE	MAX PRESSURE	MINIMUM PRESSURE	MAXIMUM TEMPERATURE	TOTAL WEIGHT (EMPTY)	DIMENSIONS			PRICE VAT EXCLUDED
	bar	bar	°C	Kg	W mm	H mm	D mm	€
	4	2	50	30	512	514	422	2.950



HP DEMI DOUBLE can be used for cleaning all the kind of surfaces with an extraordinary **NO SPOTS** effect, and filling the tanks with zero hardness water. After using the softener, surface drying is no longer needed. These systems protect all the pipes, the pumps, the boilers, the showers, taps and ice makers from impurities, corrosion and limescale deposits. The system is designed for softening, with a complete or partial removal of the total hardness and for the prevention of limescale deposits. **HP DEMI DOUBLE** uses special high ion exchange resins, which are able to reach flow rates of **1500 liters / hour**. The **HP DEMI DOUBLE** softeners, despite having higher flow rates than conventional softeners 5 times larger, uses 50 to 70% less water and salt during regeneration. For example, a crew of (4-6 people) with a consumption of 200 m³ / year of water at 30 ° F hardness, will have an annual consumption of only 100 kg of salt. The system works **without electricity and is full automatic**.



HP SCE

Economic model

Suitable for work boats, fishing boats.
Supplied in the manual model only.



KIT ECO



SC KIT



Products



HP SCA

The smallest of its category 120 - 220 lt/h for boats from 15 to 25 meters. HP SCA can be supplied semi-automatic, RP TRONIC®, Part-NET, AMCS and BiBi®.

Suitable for boats where spaces are limited. **ECO KIT** is manual only. The modular version of the SC series it is the **SC KIT** version all the functions of the SC and V compact models.



HP SC



HP SCV

Best-seller of all the times, suitable for boats from 15 to 25 meters. They can be supplied semi-automatic model, RP TRONIC®, Part-NET, AMCS and BiBi®.



HP SCD

Suitable for boats **over 30 meters**, **SC DOUBLE** watermakers are the smallest and the most efficient duplex watermakers on the market. They can be supplied in semi-automatic, RP TRONIC®, PART-NET, AMCS and BiBi® basic models.



SAND FILTRATION

Additional prefiltration protection.

Optional accessories



AMCS



PART-NET



RCP (Modbus)



HP SCE 120



HP SCE 140

	FLOW RATE	NOMINAL FLOW RATE	DAILY FLOW RATE	DAILY NOMINAL FLOW RATE	MEMBRANES
	Lt/h	Lt/h	Lt/day	Lt/day	
HP SCE 120-1	120	135	2880	3240	1-31530
HP SCE 140-1	140	166	3360	3984	1-31540
HP SCE 220-2	220	300	5280	7200	2-31530
HP SCE 260-2	260	332	6420	7968	2-31540
HP SCE 330-3	330	420	7920	10080	3-31540
HP SCE 440-4	440	560	10560	13440	4-31540

Flow rates are calculated for sea waters with the following characteristics: 35000 ppm TDS 25°C at 60 bar.
20% Price increase for 60Hz and 230V triphase models.

The **SCE** series is supplied in the **hand operated version only**. This model is ideal for whom is looking for an economic plant. The units can be supplied 110VAC 60Hz - 230VAC 50Hz - 230VAC 60Hz - 380VAC 50Hz - 440VAC 60Hz. All the units are supplied with separate booster pumps.



HP SCE 220



HP SCE 260

TOTAL WEIGHT	DIMENSIONS			INSTALLED POWER	PRICE VAT EXCLUDED
Kg	W mm	H mm	D mm	kW	€
55	842	400	456	2,2	7.500
62	1180	400	456	2,2	8.700
65	842	400	456	2,2	9.600
73	1180	400	456	2,2	12.000
82	1180	400	456	3	16.100
90	1180	400	456	3	17.800



HP SCA 100 KILO



HP SCA pump 100 KILO



HP SCA feed pump



HP SCA 220

	FLOW RATE	NOMINAL FLOW RATE	DAILY FLOW RATE	DAILY NOMINAL FLOW RATE	MEMBRANES
	Lt/h	Lt/h	Lt/day	Lt/day	
HP SCA100-1 KILO	100	120	2400	2880	1-31530
HP SCA 120-1	120	135	2880	3240	1-31530
HP SCA 160-1	160	175	3840	3984	1-31540
HP SCA 220-2	220	300	5280	7200	2-31530
HP SCA 260-2	260	332	6420	7968	2-31540
HP SCA 330-3	330	440	440	440	3-31540
HP SCA 440-4	440	560	10560	13440	4-31540
HP SCA500-4	500	580	12000	13920	4-31530

Flow rates are calculated for sea waters with the following characteristics: 35000 ppm TDS 25°C at 60 bar.
20% Price increase for 60Hz and 230V triphase models.



HP SC (Super Compact), is the best seller of all the times. SC Series can be equipped with membranes up to a production of 440 Lt/h with four 315-40 membranes. The **RP TRONIC®** version includes the automatic pressure regulation system and the MODBUS remote control panel. The feed pump included in the price is supplied separated from the unit.

This unit can be supplied 110VAC 60Hz - 230VAC 50Hz - 230VAC 60Hz - 380VAC 50Hz

- 440VAC 60Hz. MODBUS protocol standard installed on all the units. Compatible with **BiBi®** and **Part-NET Interface**.



HP SCA 260

Triplex pump
(SCA120-160-220-260)

Axial pump
(SCA 330-440-500)

Port Part-NET and BiBi®



Pump

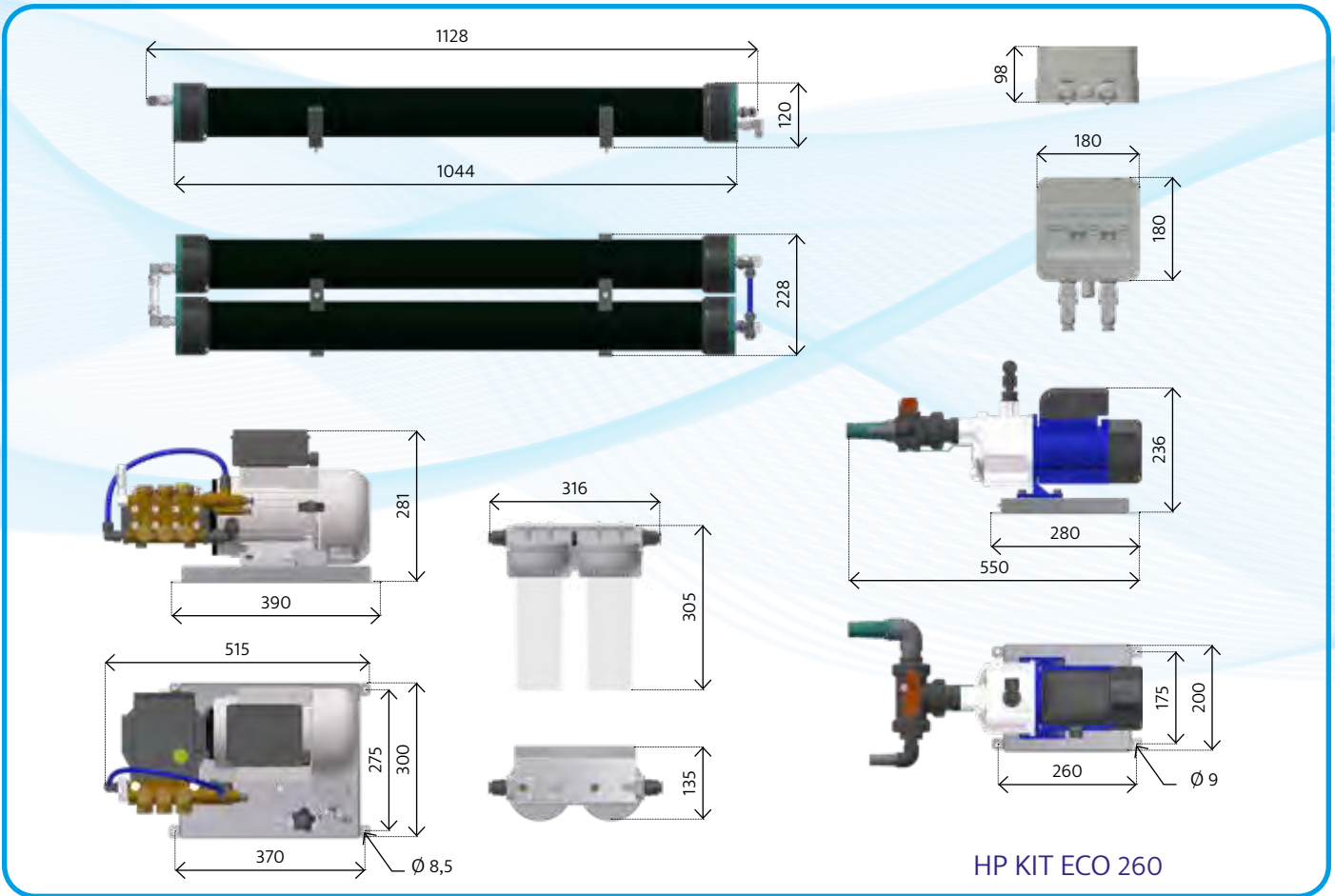


HP SCA pump with SEA 0 spot



HP SCA 500

TOTAL WEIGHT	DIMENSIONS			INSTALLED POWER	PRICE VAT EXCLUDED
Kg	W mm	H mm	D mm	kW	€
55	842	420	456	1	9.600
65	842	420	456	2,2	9.600
67	1100	420	456	2,2	10.500
80	842	420	456	2,2	13.000
85	1100	420	456	2,2	14.000
89	1100	420	456	3	17.250
94	1100	420	456	3	18.900
80	842	420	456	3	19.900
OPTIONAL ACCESSORIES					€
Extra for RP TRONIC® Version (Automatic Pressure Regulation) +3 years warranty					2.950
Extra for Part-NET Interface (compatible with: Garmin, Raymarine, Furuno and Navico)					2.000
Extra for BiBi® internet remote control system +1 year warranty					2.950
Extra for Automatic Membranes Conserving System (AMCS)					1.000
SEA 0 SPOT - Integrated shore water treatment system					1.450



HP KIT ECO 260

	FLOW RATE	MEMBRANES	PRICE VAT EXCLUDED
	Lt/h		€
HP KIT ECO 120-1	120	1-31530	7.500
HP KIT ECO 140-1	140	1-31540	8.700
HP KIT ECO 220-2	220	2-31530	9.600
HP KIT ECO 260-2	260	2-31540	12.000
HP KIT ECO 330-3	330	3-31540	16.100
HP KIT ECO 440-4	440	4-31540	17.800

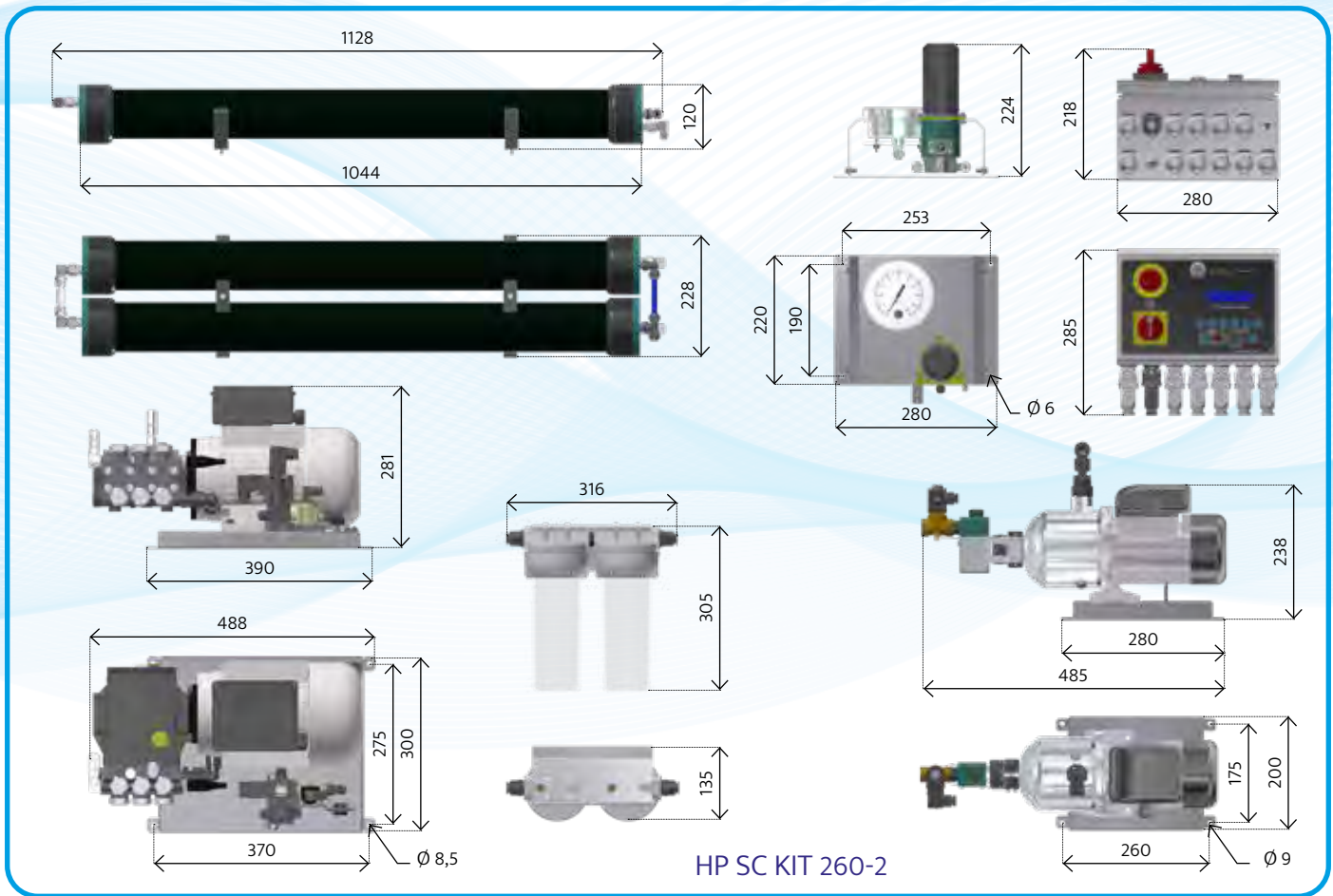
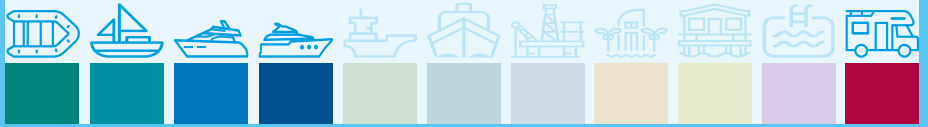
Flow rates are calculated for sea waters with the following pre-assembled and bench tested parts characteristics: 35000 ppm TDS 25°C at 60 bar.
20% Price increase for 60Hz and 230V triphase models.

The system is supplied in pre-assembled and tested parts in **HP KIT ECO**, is very simple to use and is recommended if there is not enough space on board or for those looking for an economical system.

The unit is supplied at 110VAC 60Hz - 230V 50Hz - 230VAC 60Hz - 380VAC 50Hz - 440VAC 60Hz.

MANUAL VERSION ONLY

- Pump base in AISI 316
- AISI 316 High pressure pump
- AISI 316 Low pressure pump
- 31530-31540 Osmotic membranes
- 31530-31540 Carbon fiber pressure vessel
- Hand operated pressure regulation system
- ISI316 High pressure fittings
- Electrical control panel
- Pressure control gauge
- Hand operated membranes flushing system



HP SC KIT 260-2

	FLOW RATE	MEMBRANES	PRICE VAT EXCLUDED
	Lt/h		€
HP SC KIT 140-1	140	1-31540	10.500
HP SC KIT 260-2	260	2-31540	14.000
HP SC KIT 330-3	330	3-31540	17.250
HP SC KIT 440-4	440	4-31540	18.900
OPTIONAL ACCESSORIES			€
Extra for RP TRONIC® Version (Automatic Pressure Regulation) +3 years warranty			2.950
Extra for Part-NET Interface (compatible with: Garmin, Raymarine, Furuno and Navico)			2.000
Extra for BiBi® internet remote control system +1 year warranty			2.950
Extra for Automatic Membranes Conserving System (AMCS)			1.000
SEA 0 SPOT - Integrated shore water treatment system			1.450



Flow rates are calculated for sea waters with the following characteristics: 35000 ppm TDS 25°C at 60 bar.
20% Price increase for 60Hz and 230V triphase models..



The system is supplied in pre-assembled and tested parts. **HP SC KIT** is very simple to use and is recommended in case there is not enough space on board. The watermaker can be supplied in the AUTO and RP TRONIC® versions at 110VAC 60Hz - 230VAC 50Hz - 230VAC 60Hz - 380VAC 50Hz - 440VAC 60Hz. The standard MODBUS protocol is installed on all units of this series and is compatible with **BiBi®** and **Part-NET Interface**.



HP SC 140



HP SC 260

	FLOW RATE	NOMINAL FLOW RATE	DAILY FLOW RATE	DAILY NOMINAL FLOW RATE	MEMBRANES
	Lt/h	Lt/h	Lt/day	Lt/day	
HP SC 140-1	140	166	3360	3984	1-31540
HP SC 260-2	260	332	6240	7968	2-31540
HP SC 330-3	330	420	7920	10080	3-31540
HP SC 440-4	440	560	10560	13440	4-31540

Flow rates are calculated for sea waters with the following characteristics: 35000 ppm TDS 25°C at 60 bar.
20% Price increase for 60Hz and 230V triphase models..

HP SC (Super Compact), is the best seller of all the times. SC Series can be equipped with membranes up to a production of 440 Lt/h with four 315-40 membranes. This unit can be supplied 110VAC 60Hz - 230VAC 50Hz - 230VAC 60Hz - 380VAC 50Hz - 440VAC 60Hz. MODBUS protocol standard installed on all the units. Compatible with **BiBi®** and **Part-NET Interface**.

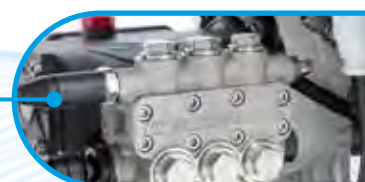


Pumps

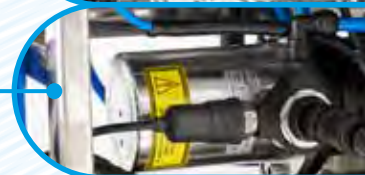


HP SC 330

Triplex pump
(SC140-260)



Axial pump
(SC 330-440)



Port Part-NET and BiBi®



HP SC 440

TOTAL WEIGHT		DIMENSIONS			INSTALLED POWER	PRICE VAT EXCLUDED
	Kg	L mm	A mm	P mm	kW	€
	65	1180	435	430	2,2	10.500
	72	1180	435	430	2,2	14.000
	83	1180	435	430	3	17.250
	94	1180	435	430	3	18.900
OPTIONAL ACCESSORIES						€
Extra for RP TRONIC® Version (Automatic Pressure Regulation) +3 years warranty						2.950
Extra for Part-NET Interface (compatible with: Garmin, Raymarine, Furuno and Navico)						2.000
Extra for BiBi® internet remote control system +1 year warranty						2.950
Extra for Automatic Membranes Conserving System (AMCS)						1.000
SEA 0 SPOT - Integrated shore water treatment system						1.450

Pumps



Triplex pump (V140-260)

Axial pump (V330-440)

Port Part-NET and BiBi®



HP SCV

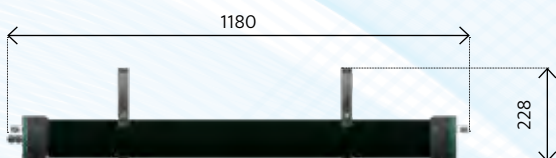
	FLOW RATE	NOMINAL FLOW RATE	DAILY FLOW RATE	DAILY NOMINAL FLOW RATE	MEMBRANE
	Lt/h	Lt/h	Lt/day	Lt/day	
HP V 140-1	140	166	3360	3984	1-31540 WM
HP V 260-2	260	332	6240	7968	2-31540 WM
HP V 330-3	330	420	7920	10080	3-31540 WM
HP V 440-4	440	560	10560	13440	4-31540 WM

Flow rates are calculated for sea waters with the following characteristics: 35000 ppm TDS 25°C at 60 bar.
20% Price increase for 60Hz and 230V triphase models..



The **HP V** series answers to the demands of compactness on board. The vertical design of the plant allows to fit the system in tight places. The frame base of the **HP V** is only 470 mm X 280 mm, and the height is 600 mm. These dimensions are referred to the body of the watermaker, that in this case does not include the membranes, which can be easily installed vertically or horizontally everywhere. This unit can be supplied 110VAC 60Hz - 230VAC 50Hz - 230VAC 60Hz - 380VAC 50Hz - 440VAC 60Hz. MODBUS protocol standard installed on all the units. Compatible with **BiBi®** and **Part-NET Interface**.

HP SC V 140-1



HP SC V 330-3 RPT



HP SC V 260-2 RPT



HP SC V 440-4 RPT



TOTAL WEIGHT	DIMENSIONS			INSTALLED POWER	PRICE VAT EXCLUDED
Kg	L mm	A mm	P mm	kW	€
65	470	600	280	2,2	10.500
72	470	600	280	2,2	14.000
83	470	600	280	3	17.250
94	470	600	280	3	18.900
OPTIONAL ACCESSORIES					€
Extra for RP TRONIC® Version (Automatic Pressure Regulation) +3 years warranty					2.950
Extra for Part-NET Interface (compatible with: Garmin, Raymarine, Furuno and Navico)					2.000
Extra for BiBi® internet remote control system +1 year warranty					2.950
Extra for Automatic Membranes Conserving System (AMCS)					1.000
SEA 0 SPOT - Integrated shore water treatment system					1.450



HP SCD 540



HP SCD 660

	FLOW RATE	NOMINAL FLOW RATE	DAILY FLOW RATE	DAILY NOMINAL FLOW RATE	MEMBRANE
	Lt/h	Lt/h	Lt/day	Lt/day	
HP SCD 440-4	440	520	10560	12480	4-31530
HP SCD 540-4	540	664	12960	15936	4-31540
HP SCD 660-6	660	840	15840	20160	6-31540
HP SCD 880-8	880	1120	21120	26880	8-31540
HP SCD 1200-8	1200	1380	28800	29770	8-31540-P
HP SCD 1600-10	1600	1850	38400	39360	10-SW4040

Flow rates are calculated for sea waters with the following characteristics: 35000 ppm TDS 25°C at 60 bar.
20% Price increase for 60Hz and 230V triphase models..



The **HP SC DOUBLE** series is supplied on a single chassis, including **two independent units**.

These units can be used individually or in tandem, depending on the water demand or in case of maintenance of one of the two units (in this case half of the production is at least guaranteed). It is available in semi-automatic versions and **RP TRONIC®** and in the following voltages: 110VAC 60Hz - 230VAC 50Hz - 230VAC 60Hz - 380VAC 50Hz - 440VAC 60Hz.

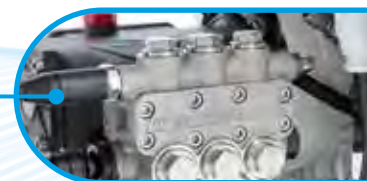
The pre-installed MODBUS standard protocol is compatible with **BiBi®** and **Part-NET Interface**.

Pumps

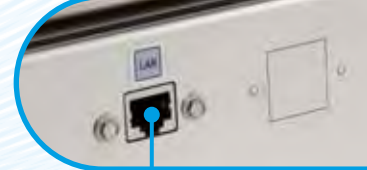


HP SCD 1200

Triplex pump
(SCD440-540)

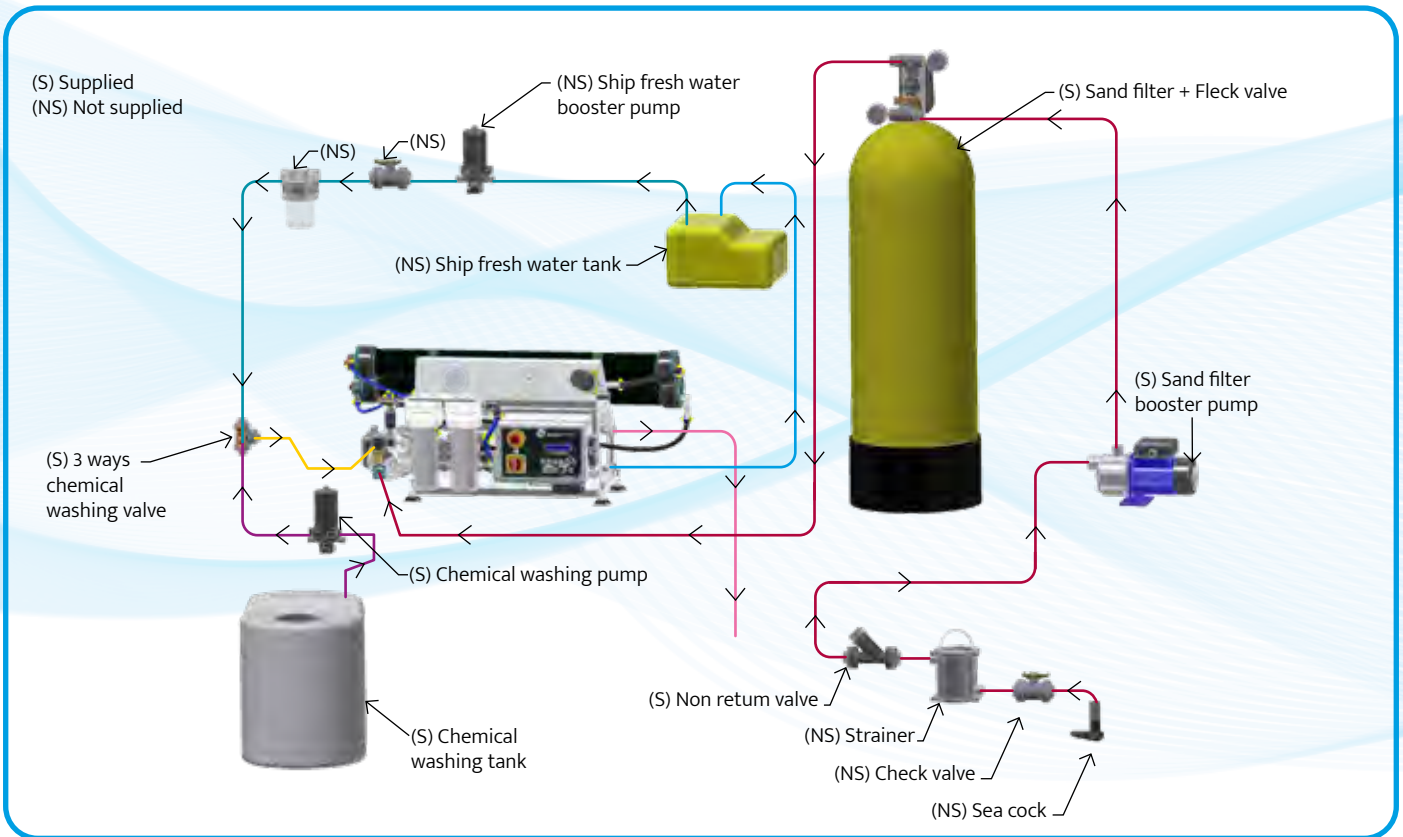


Axial pump
(SCD660-880-1200)



Port Part-NET and BiBi®

TOTAL WEIGHT		DIMENSIONS			INSTALLED POWER	PRICE VAT EXCLUDED
Kg	L mm	A mm	P mm	kW	€	
150	1100	570	600	2 X 2,2	24.200	
153	1100	570	600	2 X 2,2	27.000	
175	1100	640	600	2 X 3	31.350	
197	1100	640	600	2 X 3	34.000	
200	1100	640	600	2 X 4	48.000	
230	1100	640	600	2 X 5,5	63.000	
OPTIONAL ACCESSORIES						€
Extra for RP TRONIC® Version (Automatic Pressure Regulation) +3 years warranty						5.600
Extra for Part-NET Interface (compatible with: Garmin, Raymarine, Furuno and Navico)						4.600
Extra for BiBi® internet remote control system +1 year warranty						6.000
Extra for Automatic Membranes Conserving System (AMCS)						2.000
SEA O SPOT - Integrated shore water treatment system						2.900



- Sea water supply
- Produced desalinated water
- Fresh water supply (for flushing)
- Concentrate water over board dump
- Chemical washing water line
- Fresh water line / Chemical water inlet switch line

	FLOW RATE	PRICE VAT EXCLUDED
SAND FILTER 10" X 35" + SEA WATER PUMP	Lt/h 1000	€ 5.800

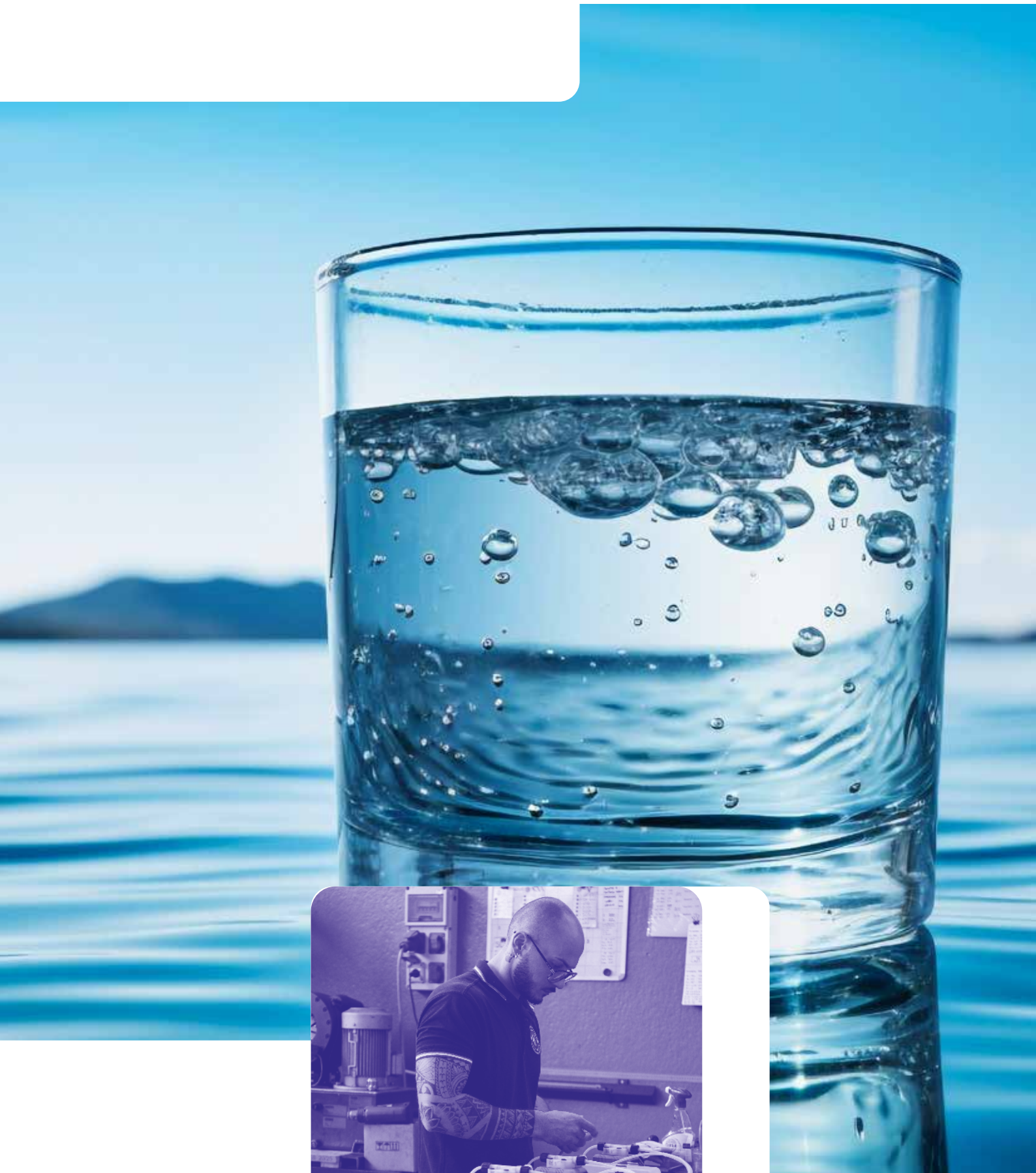
COMPATIBILITY
HP SCE - Quantity 1 - ✓
HP SCA - Quantity 1 - ✓
HP SC / SCV - Quantity 1 - ✓
HP SCD / HP SCD V - Quantity 2 - ✓
HP SCD X- CUBE - Quantity 2 - ✓

Flow rates are calculated for sea waters with the following characteristics: 35000 ppm TDS 25°C at 60 bar.
 20% Price increase for 60Hz and 230V triphase models.

Sand filtration is very effective, to avoid the constant replacement of the pre-filters, and is installed between the sea intake and the watermaker. The sand filters are equipped with a pump to feed the system with sea water for a fluid operation and back wash rinsing.

The frequency of backwashing depends on the size of the cylinder and the quantity of suspensions present in the water to be treated, which is variable, depending on the turbidity of the water. Normally the size suitable for all systems from 70 to 440 l/h and for double up models at 1200 l/h it is 10" x 35".

Backwashing is performed using a manual valve, and by activating the SAND FILTER function on the panel on the machine or remotely, and manually turning the valve located on the cylinder head.



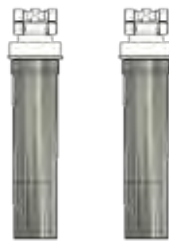
Products



HP Genius

With **HP GENIUS** is possible to produce pure water without bacteria, chlorine, odours and pollutants, directly from the fresh water tank.

HP GENIUS provides mineral, room temperature cold still and sparkling water, directly from a dedicated tap.



Ag & Mineral filter

Ice maker
and tap filters

HP GENIUS Ag kills the bacteria, eliminates the odours and the pollutants and reduces the chlorine, while **HP GENIUS MINERAL** remineralizes the water coming from the desalination.



HP UV

The UV sterilizers are “**killing**” the 99,9% of the **bacteria** and they are installed after the fresh water tanks



HP Silver Ion

The silver ion sterilizer is used for the **disinfection of the fresh water tanks** on board using a method proven over the centuries.



HP GENIUS



#nomoreplasticonboard



HP GENIUS

- ✓ Save water bottles
- ✓ Save money on water costs
- ✓ Eco-Friendly
- ✗ No more carrying water bottles on board
- ✗ No more plastic waste
- ✗ More space in the refrigerators



2 liters a day per person, for a family of four who want to sail for a month, is a total of 240 litres, equal to 160 1.5-litre bottles.

THANKS TO HP GENIUS ALL THIS WILL NO LONGER EXIST.

HP GENIUS	PRICE VAT EXCLUDED
	€ 3.950

REPLACEMENT FILTERS AND CO₂



HP GENIUS Ag
PRICE EXCLUDING VAT € 120



HP GENIUS MINERAL
PRICE EXCLUDING VAT € 66



HP GENIUS CO₂
PRICE EXCLUDING VAT € 40

MODEL	HP GENIUS
Tension and Power consumption	230V 50HZ, 170W
Carbonator-stell exchanger	AISI316 12/10
Carbonator capacity (lts)	3
Refrigerant Gas	R134a, 70G
Security valve (on the carbonator)	✓
Condenser (forced ventilation)	✓
Compressor type, CV	ALTERNATING 1/2 HP
Pump type	BOOSTER
P max CO2 (bar)P max CO1 (bar)	4,5
Plug to the water network	✓
CO2 internal bottle	600GR
Predisposition for external bottle	✓
Network pressure (bar)	1,8 - 4,5
Temperature regulation	MECHANIC
Dose management	4-WAY TAP INCLUDED
Overall dimensions (WxDx H mm)	225X463X443
Weight (kg)	17,5
Compliance - CE	✓

With **HP GENIUS** you can get pure water without bacteria and any unpleasant odours directly from a dedicated tap. The ultrafiltration system eliminates any bacteria and the charcoal filter any trace of chlorine and odours and intercepts a large amount of pollutants that can contaminate the water along its path (metals, pesticides, hydrocarbons). The bactericidal treatment system with silver ions sterilizes water at the dispensing point, avoiding the presence of bacteria that could accumulate in the tank and in the boat's pipes. A remineralizing filter enriches the water with precious minerals giving also a pleasant taste. The result is a water rich in all its beneficial components, minerals essential to our body, pure and fresh as spring water! **HP GENIUS** produces water according to the tastes of everyone: at room temperature, cold and sparkling. **Your water as you like!**

HP Ag



PRICE VAT EXCLUDED

€

200

HP GENIUS Ag

CHECK OF THE CHANGE OF PARAMETERS

PARAMETER	DIRECTIVE EU 98/93	LAB WATER	TREATED WATER	
Iron	0,20 mg/l	$\geq 0,15 / \leq 0,17$ mg/l	$\geq 0,106 / \leq 0,166$ mg/l	
Nitrates	50 mg/l	$\geq 0,51 / \leq 0,57$ mg/l	0 mg/l	
Hardness	≤ 50 °F	$\geq 19,0$ °F	$\geq 11,5 / \leq 16,3$ °F	
Counting of colonies 22°C e a 37°C	Without abnormal variations	Without abnormal variations	Without abnormal variations	Check after 60 days of non-use
Active chlorine	0,20 mg/l *M 2 mg/l (Indic. NSF 42)	2,00 mg/l	$\geq 0,12 / \leq 0,21$ mg/l	

Ultrafiltration for drinking water

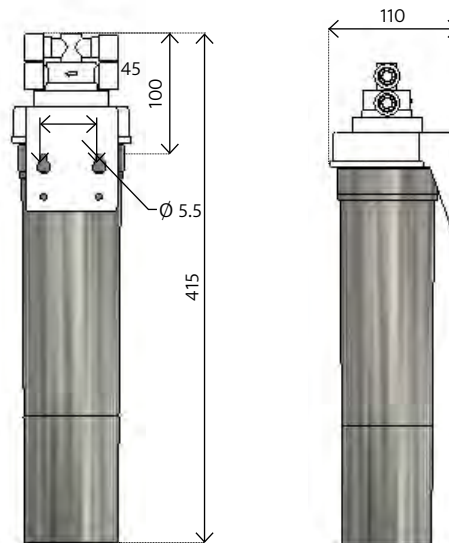
HP Genius Ag eliminates bacteria and unpleasant odours, eliminates chlorine, and has a nominal filtration rating of 0.1 microns.

A cartridge with a very high degree of filtration that encloses and maximizes the advantages of silver ions combined with an ultrafiltration stage able to prevent the passage of more than 99.99999% of bacteria. **HP Genius Ag** filters are supplied with the heads to be bracketed to the bulkhead.

HP MINERAL



AG & MINERAL FILTERS DIMENSIONS



PRICE VAT EXCLUDED

€

130

HP GENIUS MINERAL

HP Genius Mineral is a cartridge for the remineralization of low salinity water such as the water produced by a reverse osmosis system. The filters is supplied with its own bracket and head.

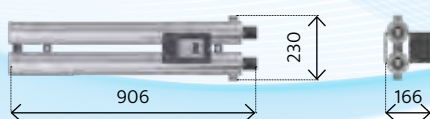


HP UV SH 2500



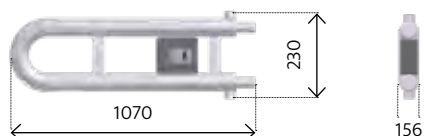
The HP UV **SH2500** type system consists of a single sterilization chamber. All the parts in contact with water are made of stainless steel and ultrapure quartz glass. The SH line is equipped with an advanced safety system that allows you to check the full efficiency of the lamps through a clear digital display, which communicates all the info on its operating status. The system produces **2500 lt/h**, for fresh water pumps up to **41 lt/min**.

HP UV SH 5000



The **HP UV SH5000** type system consists of two sterilization chambers, connected to each other in series. All parts in contact with water are made of stainless steel and ultrapure quartz glass. The SH line is equipped with an advanced safety system that allows to check the full efficiency of the lamps through a clear digital display, which communicates all the info on its operating status. The system produces **5000 lt/h**, for fresh water pumps from **41 to 83 lt/min**.

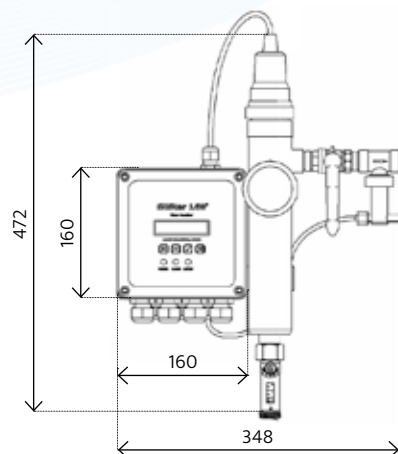
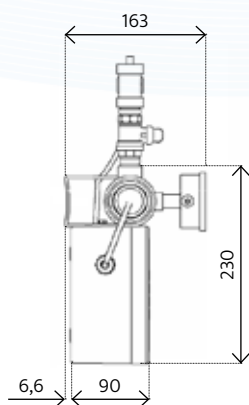
HP UV SH 8000



The **HP UV SH8000** type plant consists of two sterilization chambers connected to each other in series. All parts in contact with water are made of stainless steel and ultrapure quartz glass. The SH line is equipped with an advanced safety system that allows you to check the full efficiency of the lamps through a clear digital display which communicates all the info on its operating status. The system produces **8000 lt/h**, for fresh water pumps from **83 to 133 lt/min**. The plants of the SH line are equipped with an advanced system of safety that allows you to check the full efficiency of the lamps through a clear digital display which communicates information on its operating status.

	FLOW RATE	AUTOClave RANGE	PRICE VAT EXCLUDED
	Lt/h	lt/min	€
UV SH 2500	2500	Up to 41	1.400
UV SH 5000	5000	From 41 to 83	2.000
UV SH 8000	8000	From 83 to 133	3.300
UV SH 13000	13000	From 133 to 216	5.300
UV SH 18000	18000	From 216 to 300	8.900

The HP **UV SH** sterilizers line are optimal systems for producing a bacteriologically pure and safe water. Their innovative sterilizing systems purify the water and **deactivate viruses and bacteria**. In this way it is possible to have an alternative and hygienically safe water source. **UV irradiation** is currently the safest and most compatible system with human and environmental needs. UV lamps act on the **genetic structure of viruses and bacteria**, rendering them unproductive and preventing their proliferation.



PRICE VAT EXCLUDED

€
6.300

HP SILVER ION

The HP **SILVER ION** is a freshwater sterilizer and it's based on a well proven method, that has been used for centuries. The use of silver ions for disinfection is harmless to humans, meeting the requirements of the European Community **directive 80/778/EEC**. As a further advantage, it avoids the corrosion of the pipes normally caused by chlorination, a method frequently used for the sterilization of the tanks. HP SILVER ION sterilizes the water in the fresh water tank without the need for the crew to intervene and without the need of maintenance. Even the stored water is sterilized without any manual adjustment. The long-lasting sterilizing effect of the silver ions does not change the taste, smell or color of the water, making it ideal for numerous applications. Capacity up to 240 m3/day with 0.1 ppm silver ion concentration. Concentration of silver ions within the requirements of the EC directive 80/778/EEC

STANDARD KITS

COD.	DESCRIPTION	PRICE VAT EXCLUDED
		€
1	WASHING KIT Include: 1/2 KG MC11 - 1/2 KG MC3 - 1/2 KG HP CONSERVE 1	138
2	FILTER KIT UC SERIES include: 4 wounded 5 micron 5" mignon cartridge 1 charcoal 5" cartridge recharge - 1 charcoal 5" cartridge	66
2A	FILTER KIT UC SERIES include: 4 wounded 5 micron 5" mignon cartridge, 1 charcoal 5" cartridge recharge	59
2B	FILTER KIT UC SERIES include: 4 wounded 5 micron 5" mignon cartridge, 1 charcoal 5" cartridge recharge	64
3	CONSERVING KIT Include: 1/2 Kg HP Conserve1 powder	46
4	FILTER KIT SC SERIES include: 4 wounded 5 micron 10" cartridge, 1 charcoal 10" cartridge, 1 charcoal 5" cartridge'	72
4A	FILTER KIT SC SERIES include: 4 wounded 5 micron 10" cartridge, 1 charcoal 10" cartridge	72
4B	FILTER KIT SC SERIES include: 8 wounded 5 micron 10" cartridge	72
5	JOHN GUEST SPARE KIT 6 MM include: 5 Straight adapters 6mm X 1/8" - 5 Tangs 6mm X 1/8" - 5 Elbows 6mm - 5 Tee 6mm - 5 mt Pipe diameter 6mm	73
6	JOHN GUEST SPARE KIT 8 MM include: 5 Straight adapters 8mm X 1/4" - 5 Tangs 8mm X 1/4" - 5 Elbows 8mm - 5 Tee 8mm - 5 mt Pipe diameter 8mm	73
7	JOHN GUEST SPARE KIT 10 MM include: 5 Straight adapters 10mm X 3/8" - 5 Tangs 10mm X 3/8" - 5 Elbows 10mm - 5 Tee 10mm - 5 mt Pipe diameter 10mm	92
8	JOHN GUEST SPARE KIT 15 MM include: 5 Straight adapters 15mm X 1/2" - 5 Tangs 15mm X 1/2" - 5 Elbows 15mm - 5 Tee 15mm - 5 mt Pipe diameter 15mm	173
HIGH PRESSURE FITTING TUBE KIT		
9A	A) R7 0,5 MT Pipe - 2 AISI316 HP fittings - 2 AISI316 Nipples 1/4"	173
9B	B) R7 1 MT Pipe - 2 AISI316 HP fittings - 2 AISI316 Nipples 1/4"	184
9C	C) R7 1,5 MT Pipe - 2 AISI316 HP fittings - 2 AISI316 Nipples 1/4"	207
9D	D) R7 2 MT Pipe - 2 AISI316 HP fittings - 2 AISI316 Nipples 1/4"	230
9E	E) R7 3 MT Pipe - 2 AISI316 HP fittings - 2 AISI316 Nipples 1/4"	281
9F	F) AISI316 1/4" Pipe union - Union vessel / vessel 2540/2521	55
9G	G) AISI316 3/8" Pipe Union - Union vessel / vessel 2540/2521	55
10	HP WW90 BRASS PUMP KIT (HP UC) 3 Ceramic pistons (51.0400.09) - 3 Rings and gaskets (Kit 96 - 3 x 51.1000.51 - 3 x 90.2620.00 3 x 51.0800.70 - 3 x 90.3604.00 - 3 x 90.3835.00) - 1Kg SAE15W-40 multigrade oil	195
12	HP W71-W99 BRASS PUMP KIT 3 ceramic pistons (50.0404.09) - 3 rings and gaskets (Kit 27 - 3x 90.2703.00 - 3x 50.2166.70 3x 50.1000.51 - 3x 50.0805.70 - 3x 90.3612.00 - 3x 90.2698.00) - 1Kg SAE15W-40 multigrade oil	322
13	HP W71-W99 STEEL PUMP KIT 3 ceramic pistons (50.0404.09) - 3 rings and seals AISI316 (Kit 27 - 3x 90.2703.00 - 3x 50.2166.70 3x 50.1000.51 - 3x 50.0805.70 - 3x 90.3612.00 - 3x 90.2698.00) - 1Kg SAE15W-40 multigrade oil	420
13A	VALVE KIT W71-W99 KIT1 (6x 90.3841.00 - 6x 36.2003.66 - 6x 36.2001.76 - 6x 94.7376.00 - 6x 36.2002.51)	42
13B	PISTON HOLDING SCREW KIT W71-W99 KIT6 (3x 90.3585.00 - 3x 96.7286.00 - 3x 90.5067.00 - 3x 96.7280.00 - 3x 47.2195.66)	42
13C	PUMP KIT SW1B1514 3 Ceramic pistons (63.0405.09) - 3 AISI316 rings and gaskets (34.9384.01) - 1Kg of SAEW15-40 multigrade oil	420
14	HP DANFOSS APP1 PUMP REPAIR KIT	978
15	HP VAL GASKET KIT FOR SC (models until 2009	145

BOOSTER PUMPS

COD.	DESCRIPTION	PRICE VAT EXCLUDED
		€
20	LP Shurflo booster pump for HP UC - 12VDC	368
21	LP Shurflo booster pump for HP UC - 24VDC	368
22	LP Shurflo booster pump for HP UC - 230VDC	380
23	LP Jabsco booster pump for HP SC - HP V - HP KIT - HP SCD 540 (models until 2010)	863
24	LP Jabsco plastic pump head only	265
25	LP Lowara AISI316 boost pump for HP SCE - HP SCA - HP SC (V - KIT - SCD)	794
26	HP SC TELL-LOW adapting kit for Lowara Tellarini pump substitution	1.219

HIGH PRESSURE PUMPS AND MOTORS

40	W71 HP pump body	610
41	Brass HP pump WW90 (HP UC)	518
42	Brass HP pump W99 (HP SC KIT ECO - HP SCE)	610
43	AISI316 HP pump W71 (HP SCA - HP SC - HP V - HP SCKIT - HP SCD)	2.000
43A	HP pump in AISI316 SW1B1514 (HP SCA-HP SC-HP V-HP SCKIT-HP SCD)	2.000
44	12VDC Water cooled motor with coil for WW90 pump - (HP UC)	736
45	24VDC Water cooled motor with coil for WW90 pump - (HP UC)	736
46	230VAC Water cooled motor for WW90 pump - (HP UC)	1.060
47	230VAC - 1,85 KW motor for W99 pump* - W71	610
48	380VAC - 1,85 KW motor for W99 pump* - W71	610
49	24VDC Planetary motor for RP TRONIC VALVE	253
50	SUPER DUPLEX AXIAL PUMP 1,0	4.050
51	380VAC - 2,2 KW motor for APP 1.0 AXIAL PUMP*	668
52	230VAC - 2,2 KW motor for APP 1.0 AXIAL PUMP*	668
53*	EXTRA FOR 230V 60HZ or 230V TRIPHASE	+20%
54*	EXTRA FOR 110V 60HZ	+30%

PRE FILTRATION (compatible with all the watermaker brands)

70	Single filter housing 5" (HP UC - HP SC)	60
71	Double filter housing 5" (HP UC)	120
72	Single filter housing 10" (all uses)	75
73	Double filter housing 10" (HP SCA - HP SC - HP V - HP SCKIT - HP SCD)	113
74	AISI316 Support for single housing 5" and 10"	40
75	AISI316 Support for double MIGNON housing 5"	58
76	AISI316 Support for double Standard housing 10"	70
77	Wounded spun cartridge 5µ-10µ-20µ-10" for HP SCA-HP SCE-HP SC-HP V-HP SCKIT-HP SCD	10
78	Wounded spun cartridge 5µ - 5" mignon for HP UC	7
79	5" charcoal cartridge for HP SC (models until 2009)	18
80	10" charcoal cartridge for HP SC (models until 2009)	30
81	Sand Filter HP SAND 10" X 35" (Including pump) (HP SC - HP SCV -HP SCKIT - HP SCD)	5.800
82	Sand Filter HP SAND 21" X 60" (Including pump) (HP DOUBLE X-CUBE)	6.950

MEMBRANES AND PRESSURE VESSELS (compatible with all the watermaker brands)

COD.	DESCRIPTION	PRICE VAT EXCLUDED
		€
90	AISI316 Pressure Vessel 2521 (2,5" x 21")	552
91	AISI316 Pressure Vessel 2540 (2,5" x 40")	748
91A	Pressure Vessel 2540 - 2521 OR Kit	21
92	Carbon Fiber Pressure Vessel 31540 (3,15" x 40")	1.035
92A	Pressure Vessel 31540 OR Kit	21
92B	Carbon Fiber Pressure Vessel 31430 (3,15" x 30")	978
93	Fiberglass Pressure Vessel 4040 (4" x 40")	1.380
94	Fiberglass Pressure Vessel 8040 (8" x 40")	2.990
95	Nanofiltration Membrane for HP ACQUA PURA + pressure vessel	610
95A	Osmotic Membrane NF 31540 for MWT	805
96	Osmotic Membrane SW 30 2521	611
97	Osmotic Membrane SW 30 2540	770
98	Osmotic Membrane SW 31540	862
98A	Osmotic Membrane SW 31530	805
99	Osmotic Membrane SW 30 4021	690
100	Osmotic Membrane SW 30 4040	1.380
101	Osmotic Membrane SW 30 8040	2.990
102	Pressure vessel supports 2540 - 2 seats	97
103	Pressure vessel supports 2540 - 3 seats	110
104	Pressure vessel supports 31540 - 2 seats	115

SYSTEMS AND VALVES

120	Manual flushing system (1" three way valve HP KIT ECO)	248
121	Manual flushing system (1/2" three way valve HP UC - HP SCE)	178
122	Automatic flushing system HP VAL for HP SC - HP SCKIT - HP V - HP SCD (until 2009)	977
122A	1" HP VAL OR Kit (SC4 models until 2009)	40
123	Automatic flushing system HP VAL for HP SC - HP V - HP SCKIT - HP SCD (SC4 models until 2009)	1.440
124	AISI316 1/4" Manual pressure regulation needle valve	188
125	AISI316 3/8" Manual pressure regulation needle valve	188
126	AISI316 3/8" Semi automatic pressure regulation needle valve (until December 2002)	385
127	1/4" RP TRONIC Valve - 0,5mm for HP UC 12VDC - 24VDC	2.530
128	1/4" RP TRONIC Valve - for HP UC 230V - HP SCA - HP SC - HP V - HP SCKIT - HP SCD	2.530
129	1/2" RP TRONIC Valve - for HP SCD 660 - 880 - X-CUBE	2.990
130	Solenoid Valve EV1 (excluding cable) three way 1/4" - HP SCA - HP SC - HP V - HP SCKIT - HP SCD	285
131	Solenoid Valve EV2 (excluding cable) two way 1/2" - HP SCA - HP SC - HP V - HP SCKIT - HP SCD	368
132	Solenoid Valve EV1 (excluding cable) three way 1/2" - HP SCA - HP SC - HP V - HP SCKIT 330/440 - HP SCD 660/880	449
133	Solenoid Valve EV2 (excluding cable) two way 3/4" - HP SCA - HP SC - HP V - HP UC - HP KIT	402
134	Gauge 0-10 bar Ø63mm	150
135	Gauge 0-100 bar Ø63mm	265
136	Gauge 0-10 bar Ø100mm	150
137	Gauge 0-100 bar Ø100mm	265
138	Three Way motorized VALVE 1/2" - EV1 for 330/440 - 660/880 models	748
139	Three Way motorized VALVE 1" - EV1 for X-CUBE models	943

ELECTRIC AND ELECTRONIC SYSTEM

COD.	DESCRIPTION	PRICE VAT EXCLUDED
		€
140	Pressure sensor 0-100 bar	322
140A	Pressure switch (4112222 for axial pump APP1.0)	75
141	Temperature sensor 0-100 °C	208
142A	Flow sensor 0-1000 lt/h	265
142B	Flow sensor 100-5000 lt/h	1.093
143A	Conductivity sensor 0-2000 µS	265
143B	Conductivity sensor 0-4000 µS	380
143C	Conductivity sensor 0-80000 µS	690
144	Motherboard 12VDC for HP UC	219
145	Motherboard 24VDC for HP UC	195
146	Motherboard 220VAC for HP UC	253
147	Motherboard 220VAC for HP SCA - HP SC - HP V - HP SCKIT - HP SCD	334
147A	Motherboard 230VAC for HP SCA - HP SC - HP V - HP SCKIT - HP SCD (since 2018)	290
148	Motherboard 380VAC for HP SCA - HP SC - HP V - HP SCKIT - HP SCD	334
148A	Motherboard 380VAC for HP SCA - HP SC - HP V - HP SCKIT - HP SCD (since 2018)	290
148B	Motherboard 440VAC-60HZ for HP SCA - HP SC - HP V - HP SCKIT - HP SCD	290
149	HP REMOTE CONTROL PANEL (HP RCP)	690
149A	HP REMOTE CONTROL PANEL PART-NET BASIC (7" Touch Screen)	1.150
150	4 Poles MODBUS cable 15 MT for RCP and Part-NET Basic	138
151	4 Poles MODBUS cable 30 MT for RCP and Part-NET Basic	207
152	PLC HP03 (From 2003 to 2018)	356
152A	PLC FH2KT (From 2018)	390
153	DISPLAY PLC HP03 (From 2003 to 2018)	288
153A	DISPLAY PLC FH2KT (From 2018)	320
154	Chip Eeprom SOFTWARE RP TRONIC for PLC HP03	253
155	HP UC RP TRONIC complete electric switch board	1.438
156	HP SC - HP V RP TRONIC complete electric switch board	1.725
157	Door lock 0-1 general switch	92
158	LP pump contactor	230
159	HP pump contactor	230
160	LP pump thermal protection relay	230
161	HP pump thermal protection relay	230
164	Electric switchboard key (all the models)	23
165	Emitter for switchboard (humidity salts)	29
166	Closing lock + electrical switchboard key (all the models)	69

PACKAGES

190	Wooden case (mod. UC)	69
191	Reusable wooden crate 120X80X60 cm (HP SCE -HP SCA - HP SCKIT - HP SC)	179
192	Reusable wooden crate 120X80X80 cm (HP SC330-440 - HP SCD540)	195
193	Reusable Wooden crate 120X80X90 cm (HP SCD660-800-1200-1400-1600)	250

E-SHOP WATERMAKERS SPARE PARTS



E-SHOP DEMI5® SPARE PARTS



24 MONTHS - STANDARD SYSTEMS
36 MONTHS - SYSTEMS EQUIPPED WITH RP TRONIC
48 MONTHS - SYSTEMS EQUIPPED WITH BIBI®
ACTIVATE THE GUARANTEE WITHIN 6 MONTHS OF PURCHASE



**TO ACTIVATE REGISTRATION AFTER THIS PERIOD, SEND A WRITTEN
REQUEST WITH MACHINE DATA TO THE FOLLOWING
EMAIL ADDRESS INFO@HPWATERMAKER.IT**

The warranty covers all defects of material and processes, and is limited to the repair and/or replacement of the defective part, at HP headquarters in ZIBIDO SAN GIACOMO.

The warranty is subject to annual service interventions, carried out by the authorized technical assistance service (see list at the end of the manual). Maintenance service interventions must be carried out annually at the end of every season of use, only and exclusively by qualified and authorized personnel from the HP SERVICE assistance network. Annual maintenance operations are subject to intervention and consumables costs, corresponding to the rates in force at that time in the authorized service point.

Systems are considered covered by warranty only in the presence of annual stamps on this booklet, by an authorized company.

Any intervention on the machine or tampering by personnel not authorized by HP HIGH PRESSURE SRL, will automatically void all warranties.

The warranty will not be considered valid if one of the annual service interventions has not been carried out.

Under no circumstances does the warranty entitle users to claim compensation for any reason, moreover, we may not be held responsible for material and bodily damage caused by our machines, both direct and indirect.

The warranty will be voided if:

- the machine has been repaired, dismantled or tampered with by personnel not authorized by HP.
- the fault has been caused by electrical connection errors, lack of, or inadequate, protection.
- the system or installation of the machine have not been carried out correctly, or if the fault has been caused by incorrect manoeuvres.
- the machine has been used in port areas or in areas with polluted water.
- the machine has been subject to overloading in excess of the limits on the ID plate.
- the materials are faulty as a result of contact with abrasive or corrosive liquids.
- the materials are damaged as a result of natural wear.

The machine or the defective part must be sent to our production unit, shipping paid.

HP HIGH PRESSURE SRL also reserves the unquestionable judgement concerning the cause of the defect and whether it falls within the cases provided for by the warranty. Once repaired, the machine will be returned to the client freight collect. HP HIGH PRESSURE SRL reserves the right to make changes to warranty rules without notice.

COURT OF JURISDICTION. For any disputes the court of jurisdiction will be that of Milan.

From MILANO to the WORLD.



HP HIGH PRESSURE srl
Via Fratelli Cervi, 16 - 20058
Zibido San Giacomo (MILANO) - ITALIA

T. +39 02 90005369
info@hpwatermaker.it

www.hpwatermaker.it

USA Headquarter
FORT LAUDERDALE, USA
fl.office@hpwatermaker.it

Middle East Headquarter
DUBAI, UAE
dubai.office@hpwatermaker.it

South Africa Headquarter
CAPE TOWN, ZA
za@hpwatermaker.it

Indian Ocean Headquarter
MALE, Maldives
maldives@hpwatermaker.it

Furthermore, official dealers in 53 countries.